



MIAMI-DADE COUNTY
BUILDING CODE COMPLIANCE OFFICE (BCCO)
PRODUCT CONTROL DIVISION

MIAMI-DADE COUNTY, FLORIDA
METRO-DADE FLAGLER BUILDING
140 WEST FLAGLER STREET, SUITE 1603
MIAMI, FLORIDA 33130-1563
 (305) 375-2901 FAX (305) 372-6339

NOTICE OF ACCEPTANCE (NOA)

www.maimidade.gov/buildingcode

Trespa North America, Ltd.
12267 Crosthwaite Circle
Poway, CA 92064

SCOPE:

This NOA is being issued under the applicable rules and regulations governing the use of construction materials. The documentation submitted has been reviewed by Miami-Dade County Product Control Division and accepted by the Board of Rules and Appeals (BORA) to be used in Miami Dade County and other areas where allowed by the Authority Having Jurisdiction (AHJ).

This NOA shall not be valid after the expiration date stated below. The Miami-Dade County Product Control Division (In Miami Dade County) and/or the AHJ (in areas other than Miami Dade County) reserve the right to have this product or material tested for quality assurance purposes. If this product or material fails to perform in the accepted manner, the manufacturer will incur the expense of such testing and the AHJ may immediately revoke, modify, or suspend the use of such product or material within their jurisdiction. BORA reserves the right to revoke this acceptance, if it is determined by Miami-Dade County Product Control Division that this product or material fails to meet the requirements of the applicable building code. This product is approved as described herein, and has been designed to comply with the Florida Building Code, including the High Velocity Hurricane Zone.

DESCRIPTION: TS 110 Trespa Meteon FR Wall Panel

APPROVAL DOCUMENT: Drawing No. **08-00605**, titled "TS 110 Trespa Meteon Decorative Panel System 10/13 mm", sheets 1 through 4 of 4, dated 09/15/08, with revision A dated 11/10/08, prepared by Trespa North America, Ltd, signed and sealed by Luis R. Lomas, P.E., bearing the Miami-Dade County Product Control approval stamp with the Notice of Acceptance number and approval date by the Miami-Dade County Product Control Division.

MISSILE IMPACT RATING: None

LABELING: Each unit shall bear a permanent label with the manufacturer's name or logo, city, state and following statement: "Miami-Dade County Product Control Approved", unless otherwise noted herein.

RENEWAL of this NOA shall be considered after a renewal application has been filed and there has been no change in the applicable building code negatively affecting the performance of this product.

TERMINATION of this NOA will occur after the expiration date or if there has been a revision or change in the materials, use, and/or manufacture of the product or process. Misuse of this NOA as an endorsement of any product, for sales, advertising or any other purposes shall automatically terminate this NOA. Failure to comply with any section of this NOA shall be cause for termination and removal of NOA.

ADVERTISEMENT: The NOA number preceded by the words Miami-Dade County, Florida, and followed by the expiration date may be displayed in advertising literature. If any portion of the NOA is displayed, then it shall be done in its entirety.

INSPECTION: A copy of this entire NOA shall be provided to the user by the manufacturer or its distributors and shall be available for inspection at the job site at the request of the Building Official. This NOA consists of this page 1 and evidence page E-1, as well as approval document mentioned above. The submitted documentation was reviewed by **Carlos M. Utrera, P.E.**



[Signature]
 12/19/08

NOA No. 08-0922.07
Expiration Date: January 8, 2014
Approval Date: January 8, 2009
Page 1

NOTICE OF ACCEPTANCE: EVIDENCE SUBMITTED

A. DRAWINGS

1. Drawing No. **08-00605**, titled "TS 110 Trespa Meteor Decorative Panel System 10/13 mm", sheets 1 through 4 of 4, dated 09/15/08, with revision A dated 11/10/08, prepared by Trespa North America, Ltd, signed and sealed by Luis R. Lomas, P.E.

B. TESTS

1. Test reports on 1) Uniform Static Air Pressure Test, Loading per FBC TAS 202-94
2) Cyclic Wind Pressure Loading per FBC, TAS 203-94
along with marked-up drawings and installation diagram of 106"x 52" (10mm thick), 143-1/2"x 73" and 200-3/8"x 80-3/8" (13mm thick) Trespa Meteor Wall Panels, prepared by Hurricane Test Laboratory, LLC, Test Report No. **0358-0411-04**, dated 02/25/05, signed and sealed by Vinu J. Abraham, P.E.
2. Test report on Atmospheric Environmental Exposure of per ASTM G7-05 and Conditioning and Handling of Nonmetallic Materials per ASTM G147-02 of Panels, prepared by South Florida Test Service, Test Report No. **5**, dated 06/09/07, signed and sealed by Mark Mosbat, P.E.
3. Test report on Maintaining Constant Relative Humidity by Means of Aqueous Solutions per ASTM E 104-02 and Flexural Properties of Unreinforced and Reinforced Plastics and Electrical Insulating Materials per ASTM D 790-07 of 8mm Meteor Panels with Fire Retardant Kraft Paper Core, prepared by Architectural Testing, Inc, Test Report No. **77711.01-106-18**, dated 04/24/08, signed and sealed by Joseph A. Reed, P.E.

C. CALCULATIONS

1. Anchor verification calculations and structural analysis, complying with F.B.C 2004, dated 09/15/08, prepared, signed and sealed by Luis R. Lomas, P.E.

D. QUALITY ASSURANCE

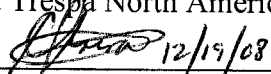
1. Miami Dade Building Code Compliance Office (BCCO).

E. MATERIAL CERTIFICATIONS

1. None.

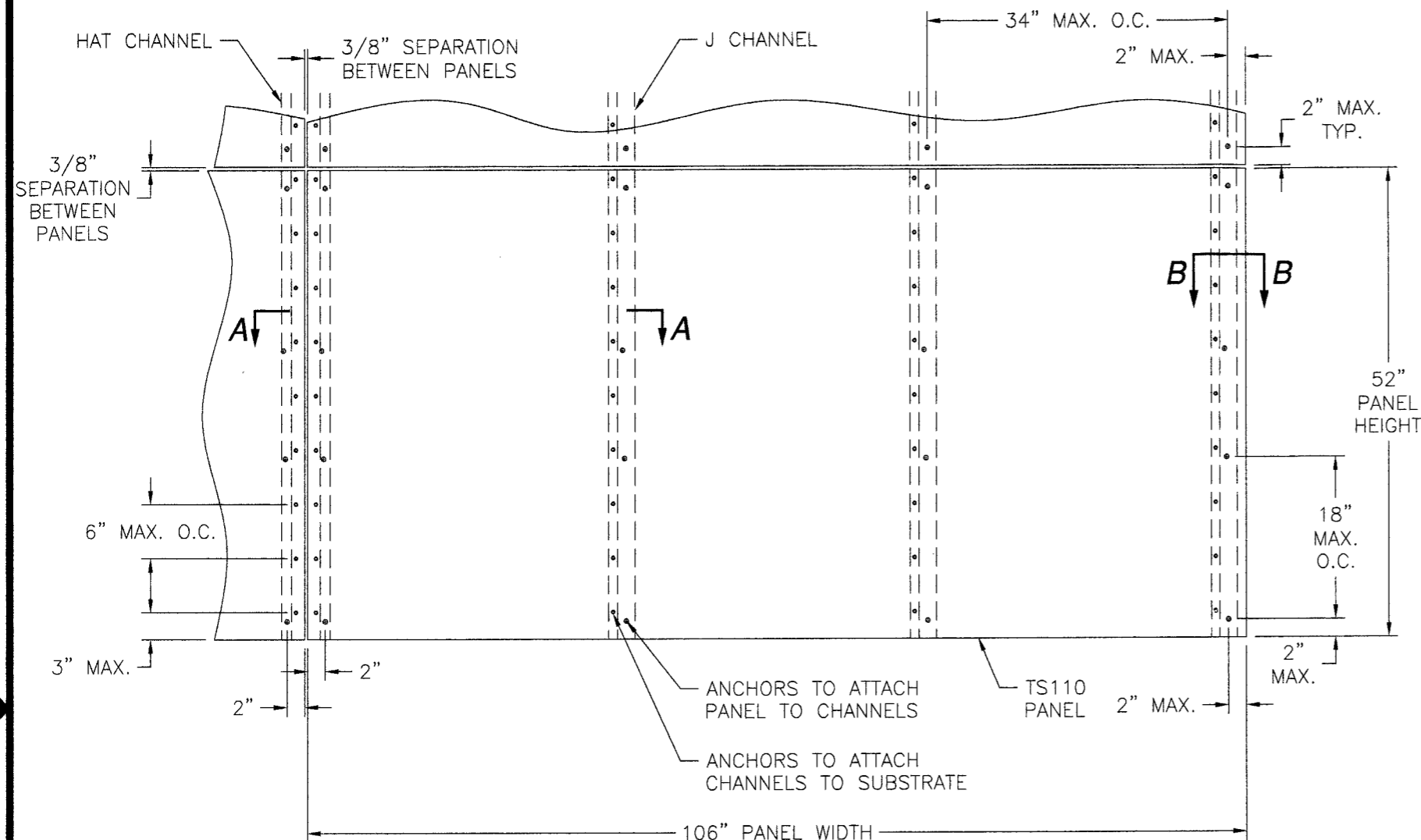
F. STATEMENTS

1. Statement letter of code conformance and no financial interest, dated 09/15/08, issued, signed and sealed by Luis R. Lomas, P.E.
2. Laboratory compliance letter issued by Hurricane Test Laboratory, LLC, for Test Report No. **0358-0411-04**, dated 02/25/05, signed and sealed by Vinu J. Abraham, P.E.
3. Distributor Agreement between Trespa International BV and Trespa North America.



Carlos M. Utrera, P.E.
Product Control Examiner
NOA No. 08-0922.07
Expiration Date: January 8, 2014
Approval Date: January 8, 2008

REVISIONS			
REV	DESCRIPTION	DATE	APPROVED
A	REVISED PER M.D. COMMENTS	11/10/08	R.L.



**TS110 10MM PANEL
INSTALLATION ELEVATION**

APPROVED PANEL SIZES: 106"x52", 143"x73",
100"x73" AND 120"x60"

DESIGN PRESSURE RATING	IMPACT RATING
±75PSF	NONE

NOTES:

- 1) THE PRODUCT SHOWN HEREIN IS DESIGNED AND MANUFACTURED TO COMPLY WITH REQUIREMENTS OF THE FLORIDA BUILDING CODE.
- 2) WOOD FRAMING AND MASONRY OPENING TO BE DESIGNED AND ANCHORED TO PROPERLY TRANSFER ALL LOADS TO STRUCTURE. FRAMING AND MASONRY OPENING IS THE RESPONSIBILITY OF THE ARCHITECT OR ENGINEER OF RECORD.
- 3) CONTRACTOR IS RESPONSIBLE FOR MAINTAINING STRUCTURAL INTEGRITY OF WINDOW OPENING AND ALL WOOD FRAMING AROUND WINDOW.
- 4) FOR INSTALLATION INTO PLYWOOD SHEATHING USE 1/4" LAG BOLT WITH SUFFICIENT LENGTH TO ACHIEVE A 5/8" MINIMUM EMBEDMENT INTO SUBSTRATE. LOCATE ANCHORS AS SHOWN IN ELEVATIONS AND INSTALLATION DETAILS.
- 5) FOR INSTALLATION INTO MASONRY/CONCRETE WALL USE 1/4" ITW TAPCON WITH SUFFICIENT LENGTH TO ACHIEVE A 1 1/4" MINIMUM EMBEDMENT INTO SUBSTRATE. LOCATE ANCHORS AS SHOWN IN ELEVATIONS AND INSTALLATION DETAILS.
- 6) ALL FASTENERS TO BE CORROSION RESISTANT.
- 7) INSTALLATION ANCHORS SHALL BE INSTALLED IN ACCORDANCE WITH ANCHOR MANUFACTURER'S INSTALLATION INSTRUCTIONS, AND ANCHORS SHALL NOT BE USED IN SUBSTRATES WITH STRENGTHS LESS THAN THE MINIMUM STRENGTH SPECIFIED BELOW:
A. WOOD - MINIMUM SPECIFIC GRAVITY OF G=0.42
B. CONCRETE - MINIMUM COMPRESSIVE STRENGTH OF 3,200 PSI.
C. MASONRY - STRENGTH CONFORMANCE TO ASTM C-90, GRADE N, TYPE 1 (OR GREATER).
- 8) ALLOWABLE STRESS INCREASE OF 1/3 WAS NOT USED IN THE DESIGN OF THE PRODUCT SHOWN HEREIN. WIND LOAD DURATION FACTOR Cd=1.6 WAS USED FOR WOOD ANCHOR CALCULATIONS.
- 9) PANEL MATERIAL: TRESPA METEON KRAFT FR CORE PANEL 10MM AND 13MM THICK. MATERIAL IS BASED ON THERMOSETTING RESINS HOMOGENOUSLY REINFORCED WITH WOOD FIBERS AND MANUFACTURED UNDER PRESSURE AND TEMPERATURE. PANEL CONSISTS OF 70% SOFTWOOD FIBERS AND 30% THERMOSETTING RESINS. THERMOSETTING RESINS ARE CURED USING ELECTRON RAYS (ELECTRON BEAM CURING) PROCESS DEVELOPED BY TRESPA NORTH AMERICA, LTD.
- 10) EXTRUSION MATERIAL: ALUMINUM 6063-T6.
- 11) THIS PRODUCT SHALL BE INSTALLED ONTO EXISTING APPROVED WALLS CONSISTING OF CONCRETE, C-90 CONCRETE BLOCK OR 5/8" MIN. PLYWOOD SHEATHING.

TABLE OF CONTENTS	
SHEET NO.	DESCRIPTION
1	10 MM ELEVATION AND GENERAL NOTES
2	13MM ELEVATION
3-4	INSTALLATION ELEVATION AND COMPONENTS

Approved as complying with the Florida Building Code
Date 01/08/2009
NOMA 08-0922-07
Miami Dade Product Control Division
By *[Signature]*

TRESPA NORTH AMERICA, LTD
12267 CROSTHWAITE CIRCLE
POWAY, CA 92064

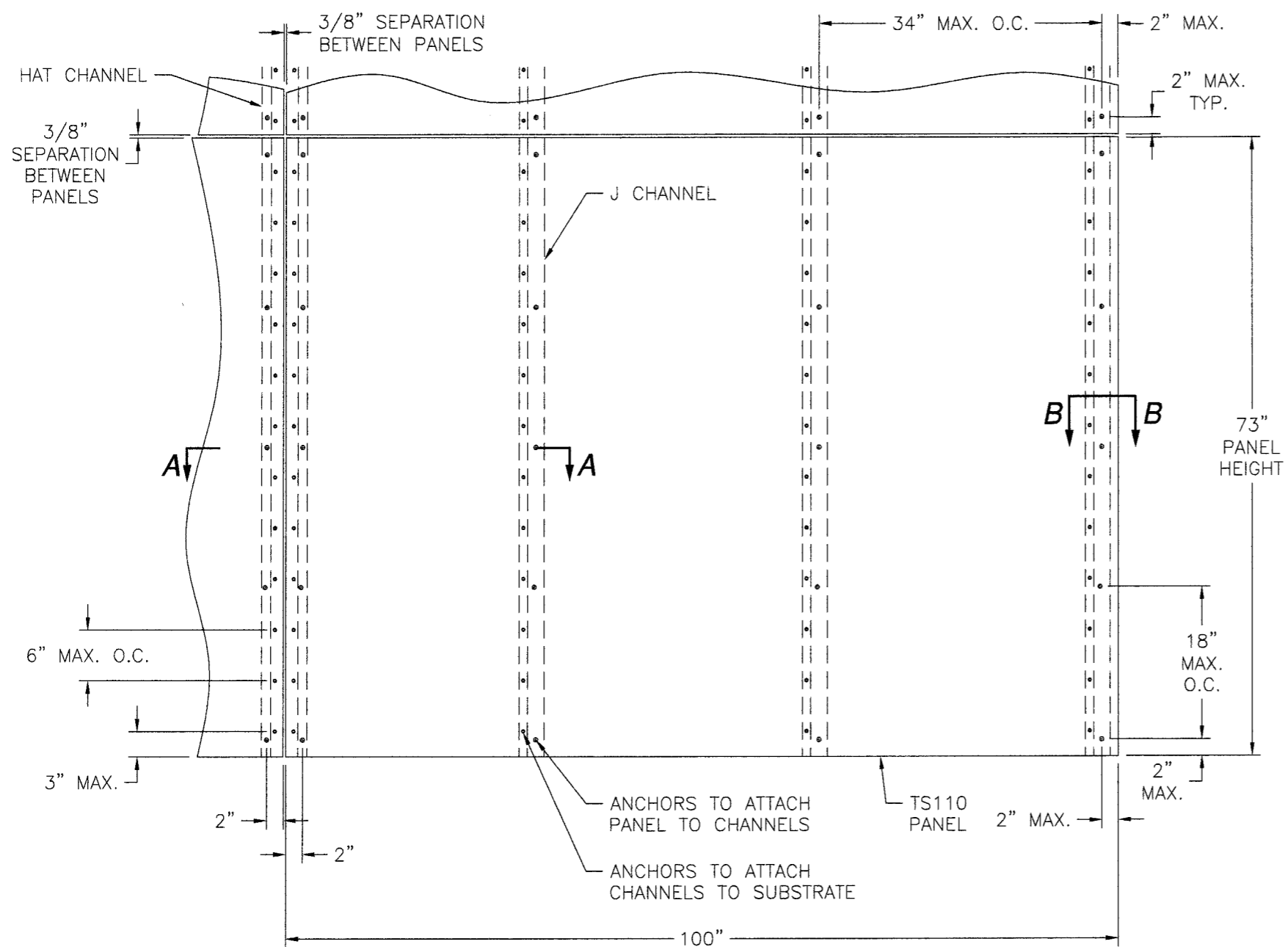
TS110 TRESPA METEON DECORATIVE PANEL SYSTEM
10MM AND 13MM
10 MM ELEVATION AND GENERAL NOTES

DRAWN: R.L. DWG NO. 08-00605 REV A
SCALE NTS DATE 9/15/08 SHEET 1 OF 4

[Signature]
11/10/08

Luis R. Lomas P.E.
Florida No. 62514

REVISIONS			
REV	DESCRIPTION	DATE	APPROVED
A	REVISED PER M.D. COMMENTS	11/10/08	R.L.



TS110 13MM PANEL
INSTALLATION ELEVATION

APPROVED PANEL SIZES: 143"x73", 100"x73" AND 120"x60"

DESIGN PRESSURE RATING	IMPACT RATING
±75PSF	NONE

Approved as complying with the Florida Building Code
 Date: 01/08/2009
 NOA# 02-0522-07
 Miami Dade Product Control Division
 By: *[Signature]*

TRESPA NORTH AMERICA, LTD
 12267 CROSTHWAITE CIRCLE
 POWAY, CA 92064

TS110 TRESPA METEON DECORATIVE PANEL SYSTEM
 10MM AND 13MM
 13 MM ELEVATION

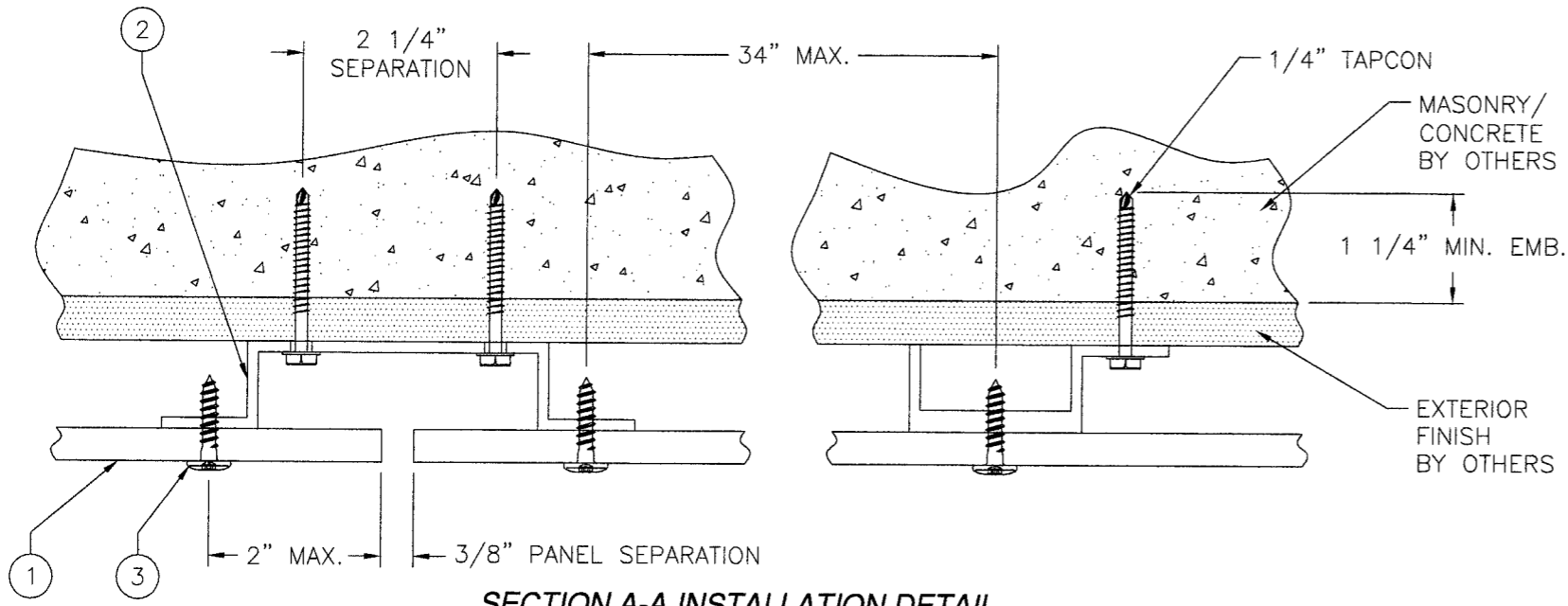
DRAWN: R.L.	DWG NO. 08-00605	REV A
SCALE NTS	DATE 9/15/08	SHEET 2 OF 4

[Signature]
 11/10/08

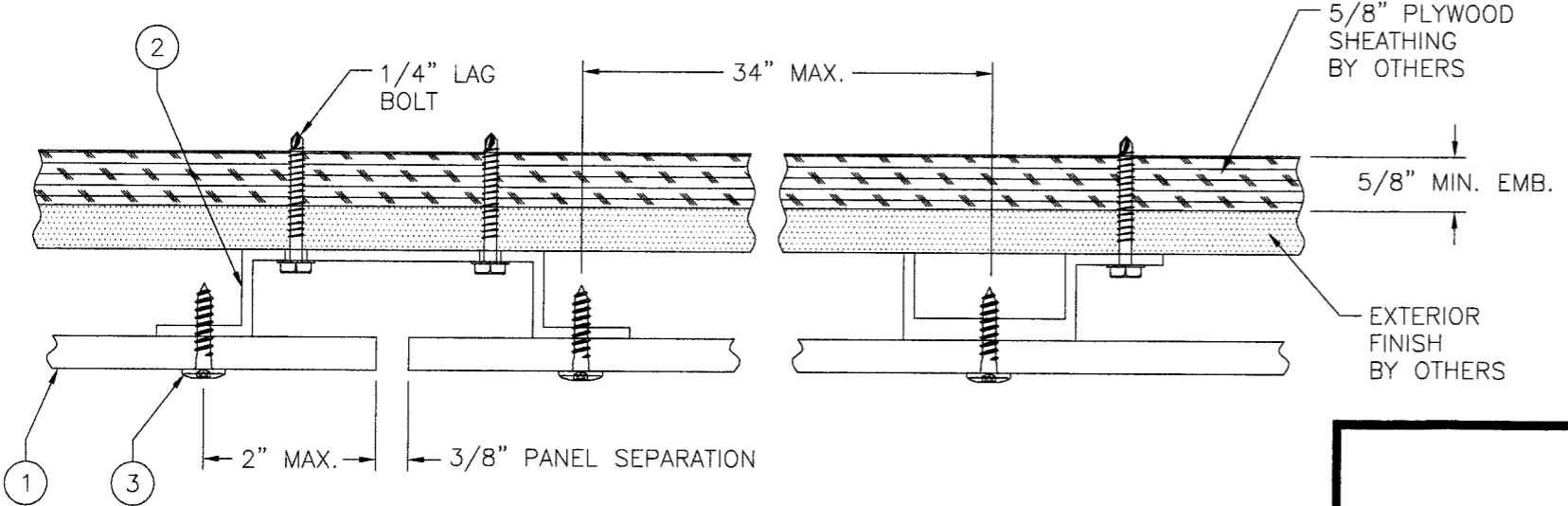
Luis R. Lomas P.E.
 Florida No. 62514

PARTS LIST				
NO.	PART NUMBER	DESCRIPTION	MANUFACTURER	MATERIAL
1	TS110	METEON PANEL 10MM	TRESA NA	
2	110-001	HAT CHANNEL	SIERRA ALUMINUM	6063-T6
3	100-000	1" PANEL FASTENER	SFS INTEC	SST
4	110-000	J CHANNEL	SIERRA ALUMINUM	6063-T6

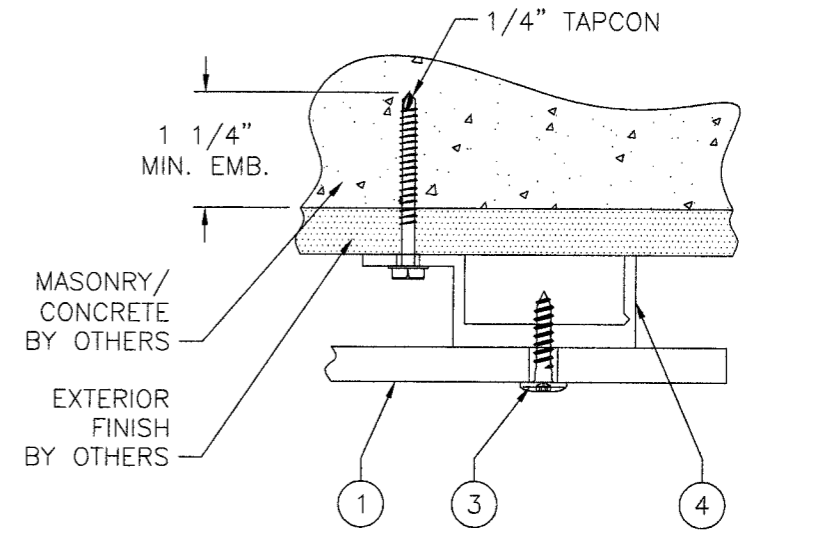
REVISIONS			
REV	DESCRIPTION	DATE	APPROVED
A	REVISED PER M.D. COMMENTS	11/10/08	R.L.



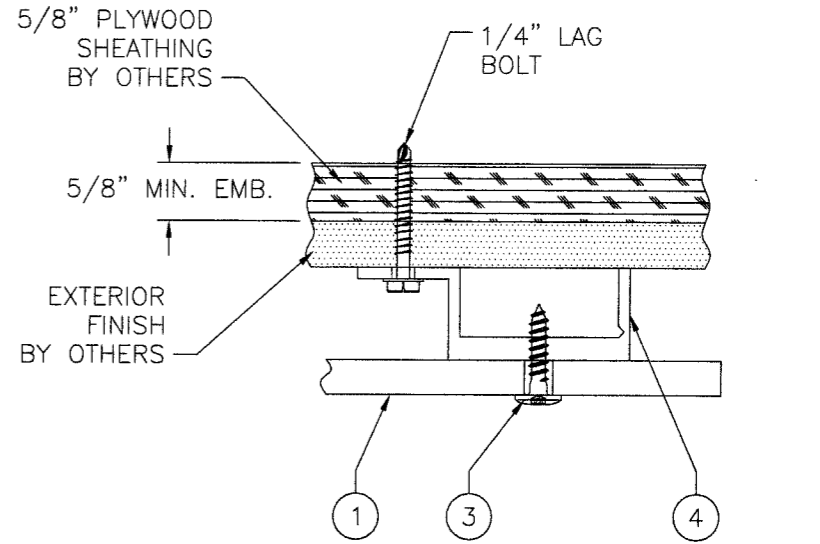
SECTION A-A INSTALLATION DETAIL
MASONRY/CONCRETE



SECTION A-A INSTALLATION DETAIL
5/8 PLYWOOD SHEATHING INSTALLATION



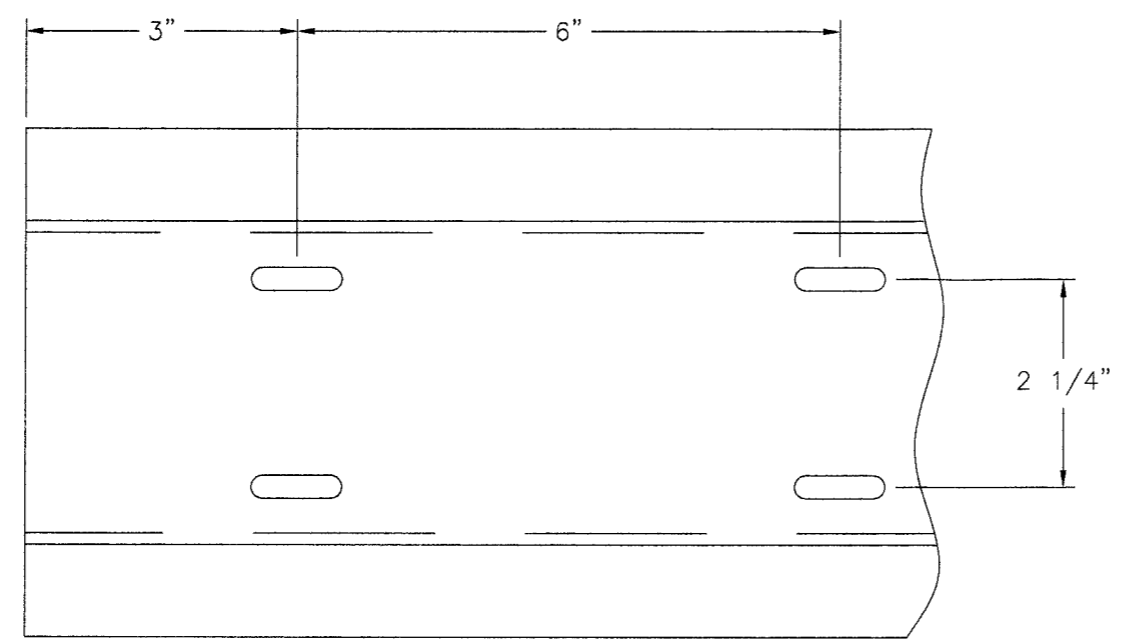
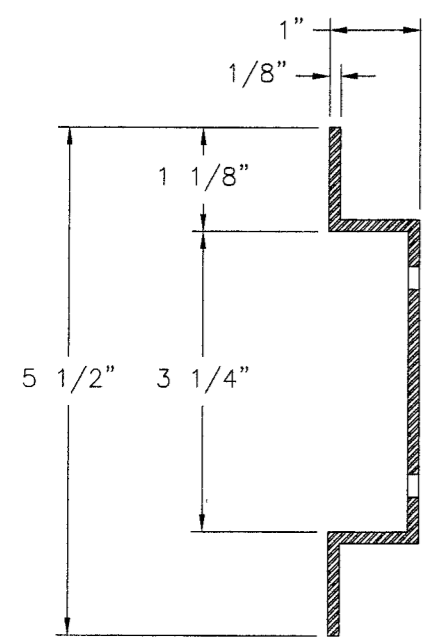
SECTION B-B INSTALLATION DETAIL
MASONRY/CONCRETE



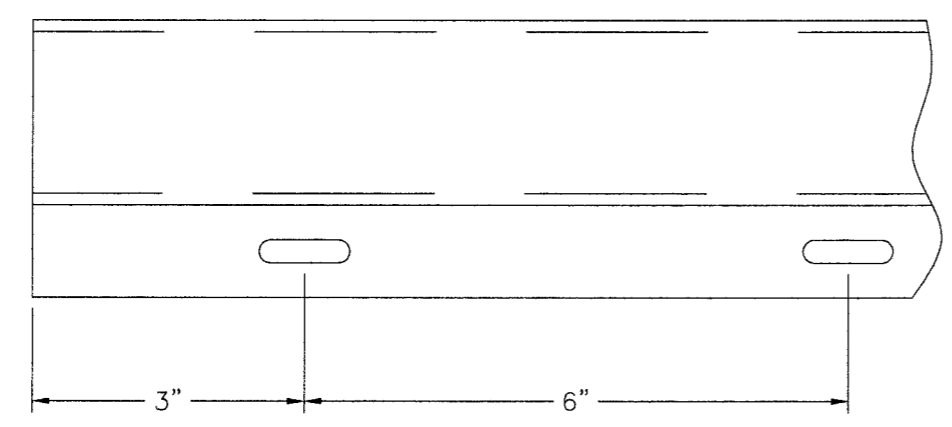
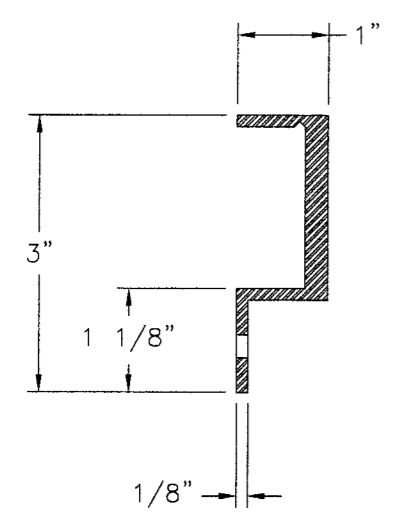
SECTION B-B INSTALLATION DETAIL
5/8 PLYWOOD SHEATHING INSTALLATION

<p>Approved as complying with the Florida Building Code Date 01/08/2007 NOA# 08-0122.07 Miami Dade Product Control Division By <i>[Signature]</i></p>	<p>TRESA NORTH AMERICA, LTD 12267 CROSTHWAITE CIRCLE POWAY, CA 92064</p>		<p><i>[Signature]</i> 11/10/08</p>
	<p>TS110 TRESA METEON DECORATIVE PANEL SYSTEM 10MM AND 13MM INSTALLATION DETAILS</p>		
<p>DRAWN: R.L.</p>	<p>DWG NO. 08-00605</p>	<p>REV A</p>	<p>Luis R. Lomas P.E. Florida No. 62514</p>
<p>SCALE NTS</p>	<p>DATE 9/15/08</p>	<p>SHEET 3 OF 4</p>	

REVISIONS			
REV	DESCRIPTION	DATE	APPROVED
A	REVISED PER M.D. COMMENTS	11/10/08	R.L.



② **HAT CHANNEL**
ALUMINUM 6063-T6 .125" THICK
10' MAX. LENGTH



④ **J CHANNEL**
ALUMINUM 6063-T6 .125" THICK
10' MAX. LENGTH

Approved as complying with the
Florida Building Code
Date 01/08/2009
NOA# 08-072207
Miami Dade Product Control
Division
By [Signature]

TRESPA NORTH AMERICA, LTD
12267 CROSTHWAITE CIRCLE
POWAY, CA 92064

TS110 TRESPA METEON DECORATIVE PANEL SYSTEM
10MM AND 13MM
COMPONENTS

DRAWN: R.L.	DWG NO. 08-00605	REV A
SCALE NTS	DATE 9/15/08	SHEET 4 OF 4

[Signature]
11/10/08

Luis R. Lomas P.E.
Florida No. 62514